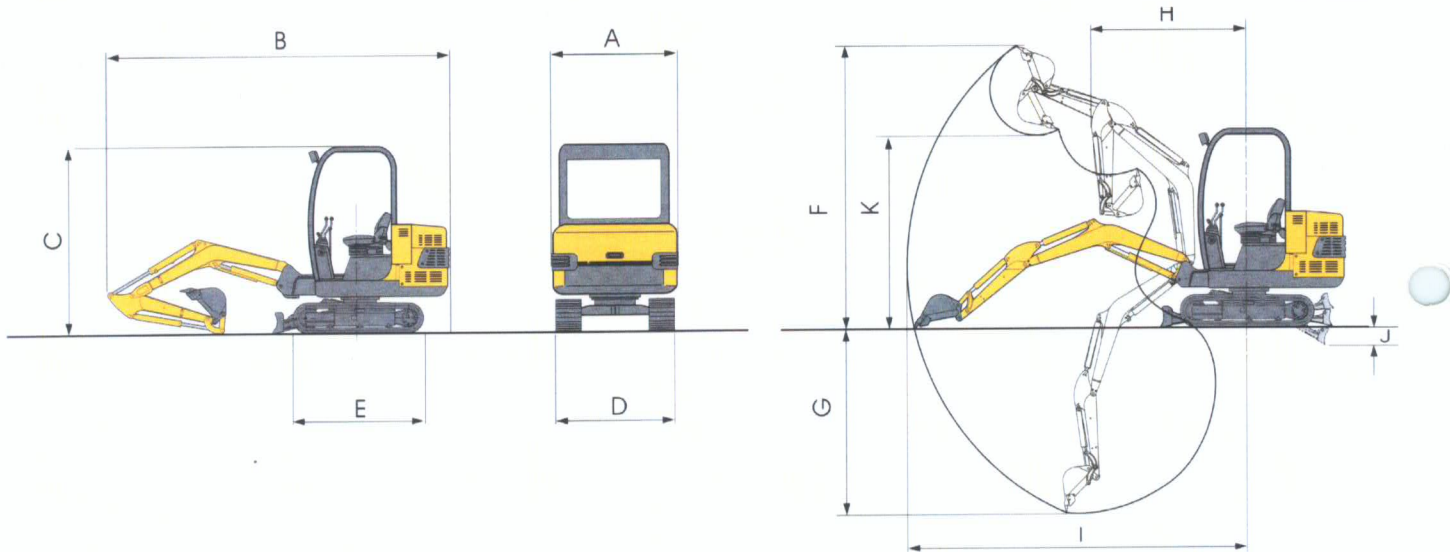


HQ15-8 mini expanding tracks excavator

- Ideal for Tradesman & landscaping
- Expandable rubber tracks for stability
- Expandable blade
- Efficient working & low operation cost
- Tough & durable body & frame
- Powerful Perkins engine
- Hammer & Auger piping standard



DIMENSIONS	Width of Platform	A	1014mm
	Maximum length of Transportation	B	3600mm
	Machine Height	C	2225mm(Canopy) / 2280mm(Cabin)
	Overall Width	D	1000/1300mm(Extendable Type)
	Length of Crawler	E	1405mm

TECHNICAL PERFORMANCE AND SPECIFICATION	Power (Perkins/Kubota)	14.7kW/14.2kW/2200rpm
	Machine Weight	1625kg(Canopy) / 1725kg(Cabin)
	Volume of Backhoe	0.02-0.07m ³
	Hydraulic System Working Pressure	16MPa
	Variable Flowrate Pump	2 x 17.6L/min
	Constant Flowrate Pump	6.6L/min
	Maximum Digging Force	10.5kN
	Gradeability	58% (30°)
	Pressure to the Ground	29kPa(Canopy) / 30.7kPa(Cabin)
	Walking Speed	2km/h
Maximum Hauling Force	11.6kN	
Swing Speed of Platform	10-12rpm	
Swing Angularity of the Digging Arm	L63° / R48°	

RANGE OF OPERATION	Max Digging Height	F	2940mm
	Maximum Digging Depth/Height	G	1810mm
	Maximum Platform Tail Turning Radius	H	1700mm
	Maximum Digging Radius	I	3570mm
	Maximum Depth for Bulldozing	J	167mm
	Maximum Dumping Height	K	2013mm

DISCLAIMER: Photographs appearing on brochures were taken for publication and may differ from actual objects. Specifications are subject to change without notice due to technical improvements or modifications.